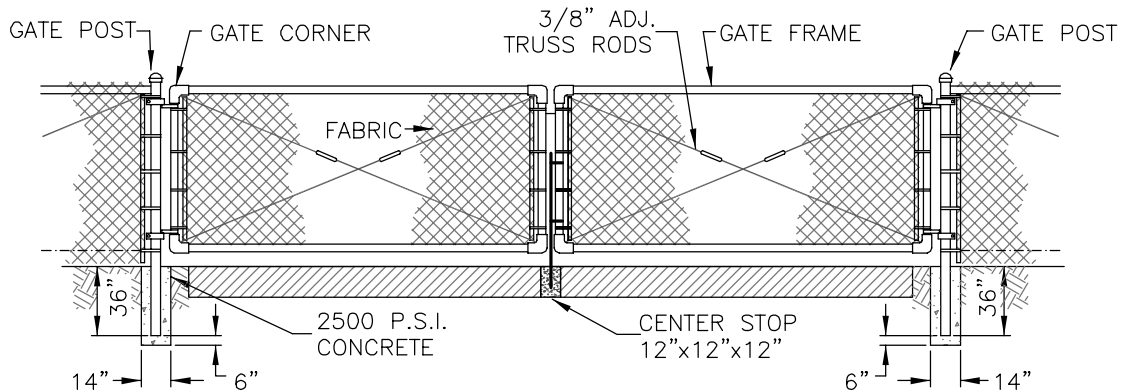


**FENCE DETAIL**



**DOUBLE SWING GATE DETAIL**

**NOTES:**

1. TRUSS BARS ARE REQUIRED FOR EACH GATE SECTION AND THE FIRST SPAN ON EACH SIDE OF A CORNER POST ONLY.
2. FENCE SHALL BE ZINC-COATED CLASS II ASTM A-392, 2" MESH, #9 GA.
3. CORNER, END, AND PULL POSTS 2-7/8" MIN. DIAM. GALV. STEEL PIPE OR 3-1/2" X 3-1/2" ROLLED SECTIONS.
4. TOP RAILS MIN. 1-1/4" GALV. STEEL PIPE. 6' GATES 12' OPENING.

**CHAIN LINK FENCE DETAIL**

NOT TO SCALE

REV	DATE	BY	REVISIONS



**TECHNICAL  
STANDARDS  
MANUAL**

**CHAIN LINK  
FENCE DETAIL  
TECHNICAL STANDARDS MANUAL  
CITY OF LYNN HAVEN FLORIDA**

CAD FILE:	CLFD
DWN BY:	JEH
DATE:	30 APR 07
SHEET NO:	6 OF 6
DETAIL	LS-6