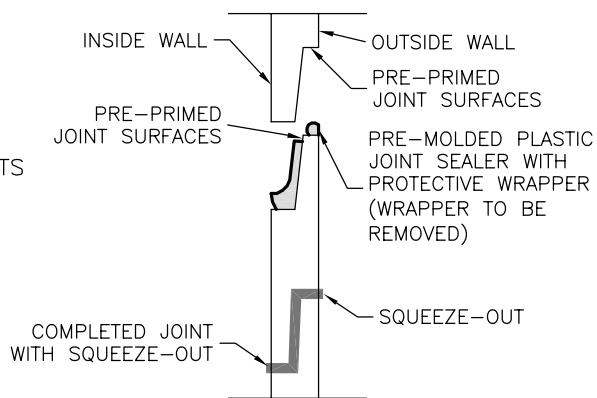
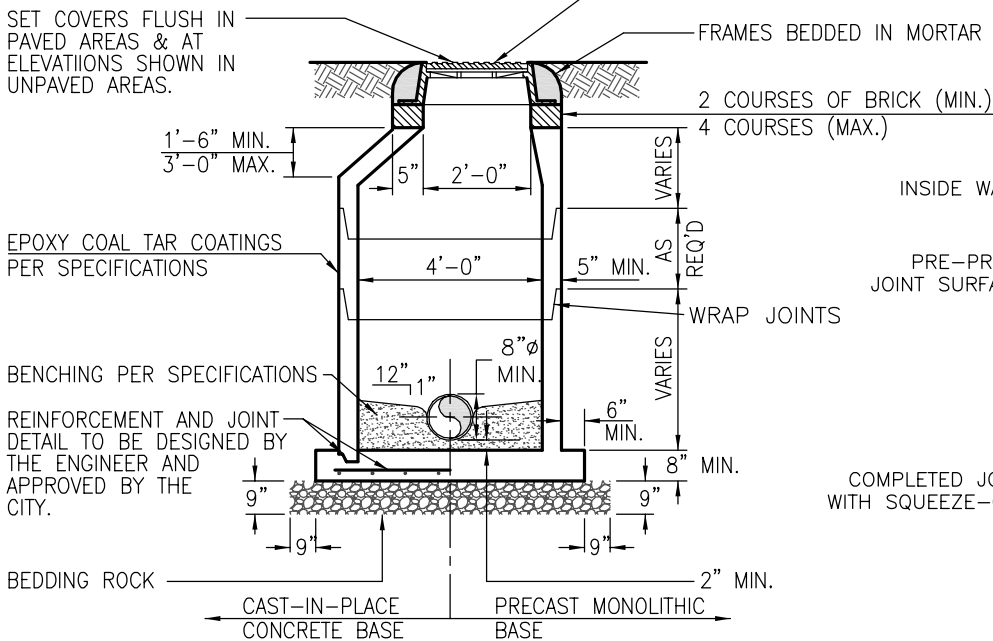


MANHOLE COVER USE  
 U.S. FOUNDRY & MFG. CORP.  
 USF 750 RING AND KI COVER  
 ITEM No.9220022  
 (SEE DETAIL S-4)

SET COVERS FLUSH IN  
 PAVED AREAS & AT  
 ELEVATIONS SHOWN IN  
 UNPAVED AREAS.



**JOINT DETAIL**

**NOTES:**

1. MANHOLE SHOWN IS FOR SEWER SIZE 8" THRU 24", SEE SECTION 20.4.3 OF THE MANUAL FOR MANHOLE DIAMETER FOR SEWERS LARGER THAN 24".
2. DROP CONNECTIONS ARE REQUIRED WHENEVER INVERT OF INFLUENT SEWER IS 24" OR MORE ABOVE THE INVERT OF THE MANHOLE. SEE MANHOLE CONNECTION DETAILS.
3. APPROVED CONCENTRIC CONE DESIGN MAY BE USED AS AN ALTERNATIVE.
4. GROUT INSIDE JOINT AREAS OF NEW SEWER MANHOLES
5. ALL MANHOLES SHALL HAVE INTEGRALLY CAST HDPE LINERS (HANSON OR APPROVED EQUAL)

**PRECAST CONCRETE MANHOLE  
 PLAN AND SECTION**

REV	DATE	BY	REVISIONS
1	20 JAN 11	REFJMS	REV MH CVR & ADDED JOINT DETAIL



**TECHNICAL  
 STANDARDS  
 MANUAL**

**PRECAST CONCRETE MANHOLE  
 PLAN AND SECTION  
 TECHNICAL STANDARDS MANUAL  
 CITY OF LYNN HAVEN FLORIDA**

CAD FILE:	PCMPAS
DWN BY:	JEH
DATE:	30 APR 07
SHEET NO:	1 OF 20
DETAIL	S1