

24" x 24" x 6"
THICK CONC. PAD
TYP. EACH VALVE BOX.

3" DIA. BRONZE DISC
ANCHORED IN CONC. PAD
STAMP AS REQ'D
(SEE NOTE 1)

SIZE OF VALVE

TYPE OF VALVE

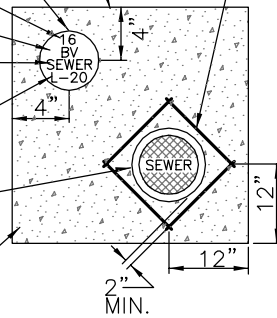
SERVICE

DIRECTION & NO.
OF TURNS TO
OPEN

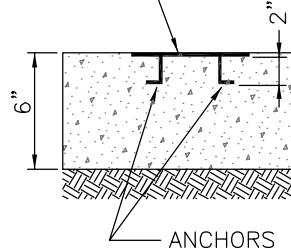
VALVE BOX
AND COVER
(TYP.)

2500 P.S.I.
CONCRETE MIN.

#4 BARS ALL
AROUND

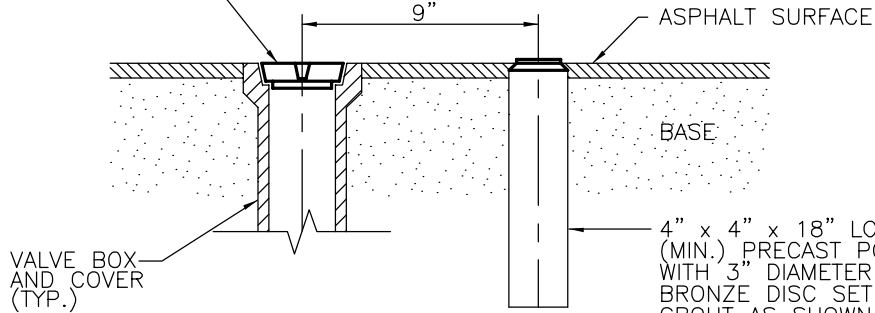


3" DIA. BRONZE
DISC ANCHORED IN
CONC. PAD STAMP
AS REQ'D.



UNIMPROVED CONDITION

TOP FLUSH WITH
FINISHED GRADE



IMPROVED CONDITION

4" x 4" x 18" LONG
(MIN.) PRECAST POST
WITH 3" DIAMETER
BRONZE DISC SET IN
GROUT AS SHOWN
ABOVE.

NOTES:

1. BRONZE IDENTIFICATION DISC SHALL BE REQUIRED FOR ALL VALVES 16" AND LARGER, OR AS REQUIRED BY THE ENGINEER FOR CRITICAL OFFSITE VALVES.
2. VALVE COLLAR DIMENSIONS MAY BE REDUCED TO 18" X 18" X 6" WHEN THE BRONZE IDENTIFICATION DISC IS NOT REQUIRED.

VALVE COLLAR DETAIL

NOT TO SCALE

REV	DATE	BY	REVISIONS



**TECHNICAL
STANDARDS
MANUAL**

**VALVE COLLAR
DETAIL
TECHNICAL STANDARDS MANUAL
CITY OF LYNN HAVEN FLORIDA**

CAD FILE:	VCD
DWN BY:	JEH
DATE:	30 APR 07
SHEET NO:	9 OF 20
DETAIL	S-9