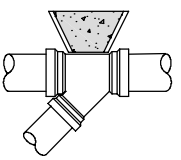
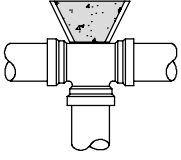
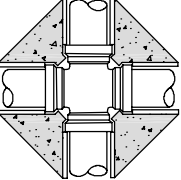
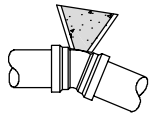
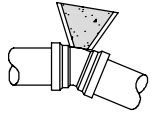
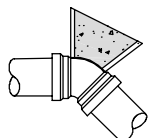
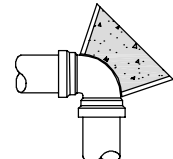
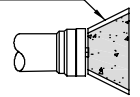
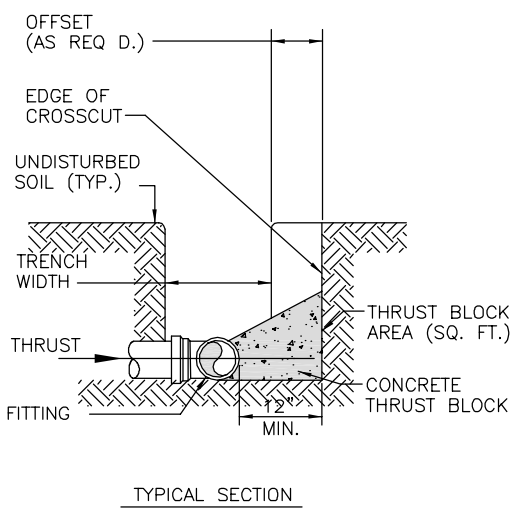


**FORCE MAIN**

**WATER MAIN**

PIPE	AREA	CONNECTION	PIPE	AREA	SEE SPECIFICATIONS FOR INSTALLATION
4 6 8 10 12	1.0 SF 1.9 SF 3.3 SF 4.9 SF 7.0 SF	WYE 	4 6 8 10 12	1.4 SF 2.9 SF 4.9 SF 7.4 SF 10.5 SF	<p>NOTES:</p> <ol style="list-style-type: none"> <li>THRUST BLOCK BEARING AREAS SHALL BE POURED AGAINST UNDISTURBED MATERIAL. WHERE TRENCH WALL HAS BEEN DISTURBED, EXCAVATE ALL LOOSE MATERIAL AND EXTEND TO UNDISTURBED MATERIAL.</li> <li>EXTEND THRUST BLOCK FULL LENGTH OF FITTINGS. JOINTS SHALL NOT BE COVERED BY THRUST BLOCKS. FITTINGS SHALL BE PROTECTED BY POLYETHYLENE FILM (8 MIL.) PRIOR TO PLACING CONCRETE THRUST BLOCK.</li> <li>ROUGH BLOCKING FOURMS SHALL BE USED ALONG SIDES OF THRUST BLOCKS, AS REQUIRED.</li> <li>THRUST BLOCKS SHALL BE USED IN COMBINATION, AS REQUIRED, TO SUIT THE SPECIFIC FITTING ARRANGEMENT.</li> <li>ALTERNATE DESIGNED RESTRAINING SYSTEMS SHALL BE PROVIDED WHERE STANDARD THRUST BLOCKING IS NOT SUITABLE AND/OR SOIL RESISTANCE BEARING IS LESS THAN 1500 PSF.</li> <li>ALL WOOD BLOCKING SHALL BE PRESSURE TREATED WITH PRESERVATIVE.</li> <li>WATER MAIN DESIGN PRESSURE 150 PSI.</li> <li>FORCE MAIN DESIGN PRESSURE 100 PSI.</li> <li>USE 4" FM AREA FOR 2" FM.</li> <li>WHERE A FITTING IS USED TO MAKE A VERTICAL BEND, ANCHOR THE FITTING TO A TRUST BLOCK BRACED AGAINST THE UNDISTURBED SOIL. THE THRUST BLOCK SHOULD HAVE ENOUGH RESISTANCE TO WITHSTAND UPWARD AND OUTWARD THRUSTS AT THE FITTING.</li> </ol>
4 6 8 10 12	1.2 SF 2.5 SF 4.3 SF 6.5 SF 9.1 SF	TEE 	4 6 8 10 12	1.8 SF 3.7 SF 6.4 SF 9.7 SF 13.7 SF	
4 6 8 10 12	1.0 SF 2.0 SF 4.0 SF 5.0 SF 8.0 SF	CROSS 	4 6 8 10 12	2.6 SF 5.3 SF 9.1 SF 13.7 SF 19.4 SF	
4 6 8 10 12	1.0 SF 1.0 SF 1.7 SF 2.5 SF 3.5 SF	11-1/4° BEND 	4 6 8 10 12	1.0 SF 1.0 SF 1.3 SF 1.9 SF 2.7 SF	
4 6 8 10 12	1.0 SF 1.0 SF 1.7 SF 2.5 SF 3.5 SF	22-1/2° BEND 	4 6 8 10 12	1.0 SF 1.5 SF 2.5 SF 3.8 SF 5.3 SF	
4 6 8 10 12	1.0 SF 1.9 SF 3.3 SF 4.9 SF 7.0 SF	45° BEND 	4 6 8 10 12	1.4 SF 2.9 SF 4.9 SF 7.4 SF 10.5 SF	
4 6 8 10 12	1.7 SF 3.5 SF 6.1 SF 9.1 SF 12.9 SF	90° BEND 	4 6 8 10 12	2.6 SF 5.3 SF 9.1 SF 13.7 SF 19.4 SF	
4 6 8 10 12	1.2 SF 2.5 SF 4.3 SF 6.5 SF 9.1 SF	WOOD BLOCKING (TYP.) END PLUG 	4 6 8 10 12	1.8 SF 3.7 SF 6.4 SF 9.7 SF 13.7 SF	



**THRUST BLOCK SCHEDULE**

REV	DATE	BY	REVISIONS



**TECHNICAL STANDARDS MANUAL**

**THRUST BLOCK SCHEDULE**  
**TECHNICAL STANDARDS MANUAL**  
 CITY OF LYNN HAVEN FLORIDA

CAD FILE:	TBS
DWN BY:	JEH
DATE:	30 APR 07
SHEET NO:	9 OF 27
DETAIL	W-9

© CITY OF LYNN HAVEN ALL RIGHTS RESERVED. NO PART OF THIS DOCUMENT MAY BE REPRODUCED OR UTILIZED IN ANY FORM WITHOUT PRIOR WRITTEN AUTHORIZATION OF THE CITY OF LYNN HAVEN