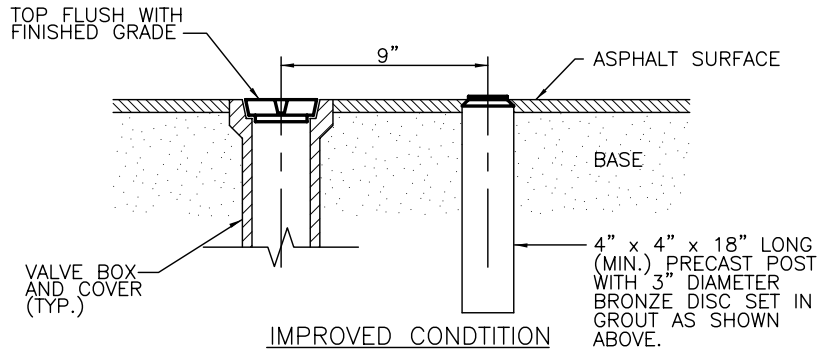


UNIMPROVED CONDITION



IMPROVED CONDITION

- NOTES:
1. BRONZE IDENTIFICATION DISC SHALL BE REQUIRED FOR ALL VALVES 16" AND LARGER, OR AS REQUIRED BY THE ENGINEER FOR CRITICAL OFFSITE VALVES.
  2. VALVE COLLAR DIMENSIONS MAY BE REDUCED TO 18" X 18" X 6" WHEN THE BRONZE IDENTIFICATION DISC IS NOT REQUIRED.

**VALVE COLLAR DETAIL**  
NOT TO SCALE

Date: Apr. 30, 2007, 2:03pm User: JEH File: P:\14340 Comp Plan\Drawings\REVISIONS\TWO SEWER.dwg

© CITY OF LYNN HAVEN ALL RIGHTS RESERVED. NO PART OF THIS DOCUMENT MAY BE REPRODUCED OR UTILIZED IN ANY FORM WITHOUT PRIOR WRITTEN AUTHORIZATION OF THE CITY OF LYNN HAVEN



**TECHNICAL STANDARDS MANUAL**

**VALVE COLLAR DETAIL**  
TECHNICAL STANDARDS MANUAL  
CITY OF LYNN HAVEN FLORIDA

CAD FILE:	VCD
DWN BY:	JEH
DATE:	30 APR 07
SHEET NO:	9 OF 19
DETAIL	S-9