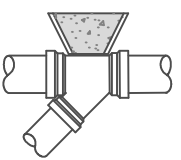
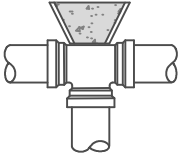
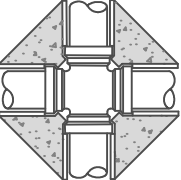
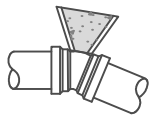
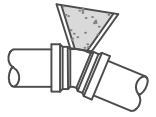
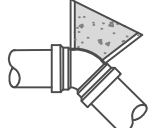
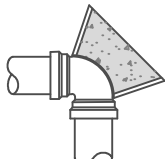
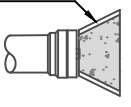
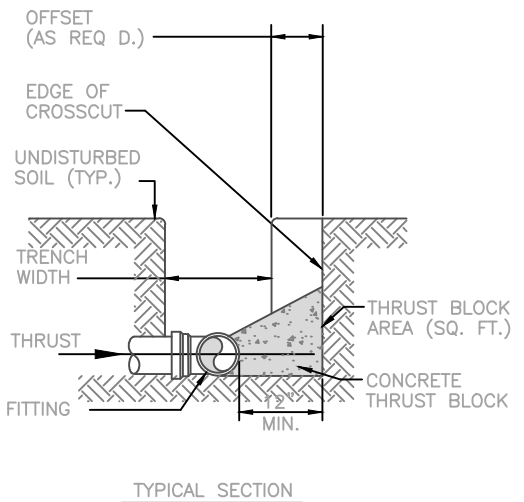


FORCE MAIN

WATER MAIN

PIPE	AREA	CONNECTION	PIPE	AREA	SEE SPECIFICATIONS FOR INSTALLATION
4 6 8 10 12	1.0 SF 1.9 SF 3.3 SF 4.9 SF 7.0 SF	WYE 	4 6 8 10 12	1.4 SF 2.9 SF 4.9 SF 7.4 SF 10.5 SF	<p>NOTES:</p> <ol style="list-style-type: none"> THRUST BLOCK BEARING AREAS SHALL BE POURED AGAINST UNDISTURBED MATERIAL. WHERE TRENCH WALL HAS BEEN DISTURBED, EXCAVATE ALL LOOSE MATERIAL AND EXTEND TO UNDISTURBED MATERIAL. EXTEND THRUST BLOCK FULL LENGTH OF FITTINGS. JOINTS SHALL NOT BE COVERED BY THRUST BLOCKS. FITTINGS SHALL BE PROTECTED BY POLYETHYLENE FILM (8 MIL.) PRIOR TO PLACING CONCRETE THRUST BLOCK. ROUGH BLOCKING FOURMS SHALL BE USED ALONG SIDES OF THRUST BLOCKS, AS REQUIRED. THRUST BLOCKS SHALL BE USED IN COMBINATION, AS REQUIRED, TO SUIT THE SPECIFIC FITTING ARRANGEMENT. ALTERNATE DESIGNED RESTRAINING SYSTEMS SHALL BE PROVIDED WHERE STANDARD THRUST BLOCKING IS NOT SUITABLE AND/OR SOIL RESISTANCE BEARING IS LESS THAN 1500 PSF. ALL WOOD BLOCKING SHALL BE PRESSURE TREATED WITH PRESERVATIVE. WATER MAIN DESIGN PRESSURE 150 PSI. FORCE MAIN DESIGN PRESSURE 100 PSI. USE 4" FM AREA FOR 2" FM. WHERE A FITTING IS USED TO MAKE A VERTICAL BEND, ANCHOR THE FITTING TO A TRUST BLOCK BRACED AGAINST THE UNDISTURBED SOIL. THE THRUST BLOCK SHOULD HAVE ENOUGH RESISTANCE TO WITHSTAND UPWARD AND OUTWARD THRUSTS AT THE FITTING.
4 6 8 10 12	1.2 SF 2.5 SF 4.3 SF 6.5 SF 9.1 SF	TEE 	4 6 8 10 12	1.8 SF 3.7 SF 6.4 SF 9.7 SF 13.7 SF	
4 6 8 10 12	1.0 SF 2.0 SF 4.0 SF 5.0 SF 8.0 SF	CROSS 	4 6 8 10 12	2.6 SF 5.3 SF 9.1 SF 13.7 SF 19.4 SF	
4 6 8 10 12	1.0 SF 1.0 SF 1.7 SF 2.5 SF 3.5 SF	11-1/4° BEND 	4 6 8 10 12	1.0 SF 1.0 SF 1.3 SF 1.9 SF 2.7 SF	
4 6 8 10 12	1.0 SF 1.0 SF 1.7 SF 2.5 SF 3.5 SF	22-1/2° BEND 	4 6 8 10 12	1.0 SF 1.5 SF 2.5 SF 3.8 SF 5.3 SF	
4 6 8 10 12	1.0 SF 1.9 SF 3.3 SF 4.9 SF 7.0 SF	45° BEND 	4 6 8 10 12	1.4 SF 2.9 SF 4.9 SF 7.4 SF 10.5 SF	
4 6 8 10 12	1.7 SF 3.5 SF 6.1 SF 9.1 SF 12.9 SF	90° BEND 	4 6 8 10 12	2.6 SF 5.3 SF 9.1 SF 13.7 SF 19.4 SF	
4 6 8 10 12	1.2 SF 2.5 SF 4.3 SF 6.5 SF 9.1 SF	WOOD BLOCKING (TYP.) END PLUG 	4 6 8 10 12	1.8 SF 3.7 SF 6.4 SF 9.7 SF 13.7 SF	



THRUST BLOCK SCHEDULE

REV	DATE	BY	REVISIONS



TECHNICAL STANDARDS MANUAL

THRUST BLOCK SCHEDULE
TECHNICAL STANDARDS MANUAL
 CITY OF LYNN HAVEN FLORIDA

CAD FILE:	WATER
DWN BY:	REF
DATE:	30 APR 07
SHEET NO:	9 OF 27
DETAIL:	W-9

© CITY OF LYNN HAVEN ALL RIGHTS RESERVED. NO PART OF THIS DOCUMENT MAY BE REPRODUCED OR UTILIZED IN ANY FORM WITHOUT PRIOR WRITTEN AUTHORIZATION OF THE CITY OF LYNN HAVEN