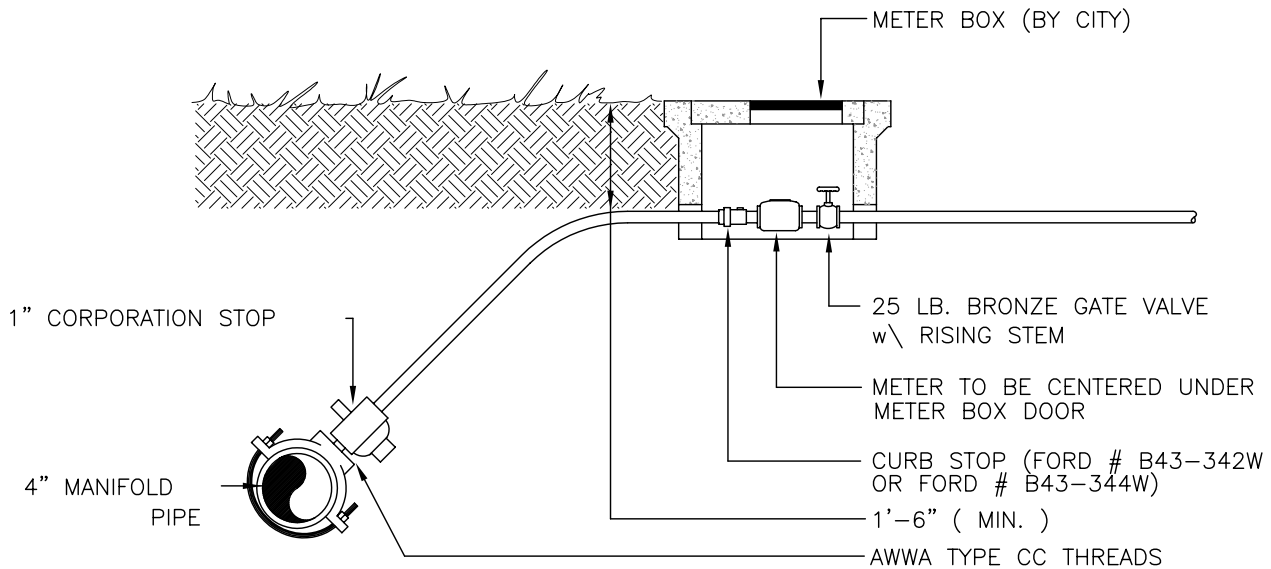


NOTE: ALL 4" PVC PIPE WITHIN RIGHT OF WAY SHALL BE C 900



MULTI-METER DETAIL
NOT TO SCALE

© CITY OF LYNN HAVEN ALL RIGHTS RESERVED. NO PART OF THIS DOCUMENT MAY BE REPRODUCED OR UTILIZED IN ANY FORM WITHOUT PRIOR WRITTEN AUTHORIZATION OF THE CITY OF LYNN HAVEN



**TECHNICAL
STANDARDS
MANUAL**

**MULTI-METER
DETAIL**
TECHNICAL STANDARDS MANUAL
CITY OF LYNN HAVEN FLORIDA

CAD FILE:	MMD
DWN BY:	JEH
DATE:	30 APR 07
SHEET NO:	13 OF 26
DETAIL W-13	