

24" x 24" x 6"
THICK CONC. PAD
TYP. EACH VALVE BOX.

3" DIA. BRONZE DISC
ANCHORED IN CONC. PAD
STAMP AS REQ'D
(SEE NOTE 1)

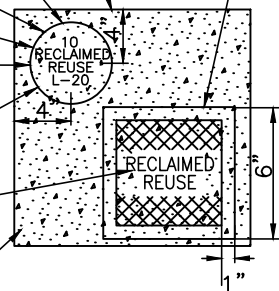
SIZE OF VALVE
TYPE OF VALVE
SERVICE

DIRECTION & NO.
OF TURNS TO
OPEN

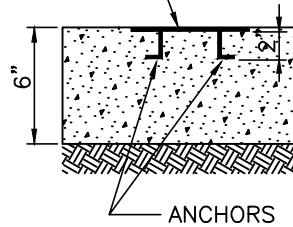
VALVE BOX
AND COVER
(TYP.)

2500 P.S.I.
CONCRETE MIN.

#4 BARS ALL
AROUND

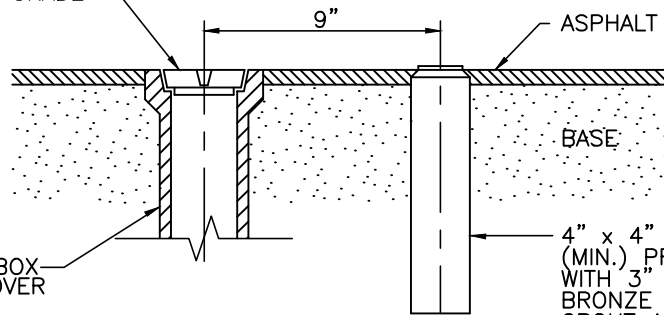


3" DIA. BRONZE
DISC ANCHORED IN
CONC. PAD STAMP
AS REQ'D.



TOP FLUSH WITH
FINISHED GRADE

VALVE BOX
AND COVER
(TYP.)



ASPHALT SURFACE

BASE

4" x 4" x 18" LONG
(MIN.) PRECAST POST
WITH 3" DIAMETER
BRONZE DISC SET IN
GROUT AS SHOWN
ABOVE.

NOTES:

1. BRONZE IDENTIFICATION DISC SHALL BE REQUIRED FOR ALL VALVES 10" AND LARGER, OR AS REQUIRED BY THE ENGINEER FOR CRITICAL OFFSITE VALVES.
2. VALVE COLLAR DIMENSIONS MAY BE REDUCED TO 18" X 18" X 6" WHEN THE BRONZE IDENTIFICATION DISC IS NOT REQUIRED.

VALVE COLLAR DETAIL

NOT TO SCALE

REV	DATE	BY	REVISIONS
1	25 MAR 13	REFJHJS	REVISED DETAIL



TECHNICAL
STANDARDS
MANUAL

VALVE COLLAR
DETAIL
TECHNICAL STANDARDS MANUAL
CITY OF LYNN HAVEN FLORIDA

CAD FILE:	REUSE
DWN BY:	REF
DATE:	30 APR 07
SHEET NO:	5 OF 18
DETAIL	R-5